



Kitchen Appliances Collection 2015

 **Domain**
Quality appliances for everyday living

The kitchen is the life and soul of the home.

CONTENTS	
Introduction	04
Ovens	06
Rangehoods	12
Cooktops	20
Sinks	30
Taps & Mixers	38
Dishwashers	42
Microwaves	46
Technical Specifications	48
Warranty	58



The kitchen is the source of all the captivating smells and sounds emanating throughout the home.

It is the focal point for our guests and family when entertaining.

Escapism from our hectic and complex lifestyles is becoming more important. We seek our own personalised space, a personal retreat and most importantly, the sense of home. Home is our primary place where we love and grow with our family and friends.

We turn to food for great pleasure and expect great experience from our food. In food we seek premium quality, try interesting new culinary techniques and indulge in flavours from all around the world all whilst also searching for the freshest ingredients.

We look for the ability to perform a quick easy convenient meal whilst also being able to prepare delicious weekend family feasts. This is why we need appliances that fit in and suit our needs in our ever changing lifestyle.

Domain's new appliance range represents innovative, affordable, quality that integrates within your kitchen and your changing lifestyle.

"Quality appliances for everyday living."

OVENS

Ovens

Domain's ovens have been meticulously designed with a blend of functionality, style and performance. The diverse range is equipped with easy-to-use features to simplify and meet the demands of the versatile home chef.



Child Safety Lock

The Child Safety Lock was created to prevent curious little fingers from activating the oven settings. Simply hold down the two buttons indicating the lock function and your oven will enter the Child Safety Lock mode. To remove the lock simply repeat the process.



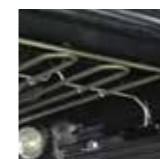
Interior

The unique coating on the inside of all Domain ovens is a high grade protective enamel. This enamel withstands chemical corrosion and is scratch-resistant to ensure your oven's longevity.



Advanced Insulation Technology (Cool Touch Doors)

Domain provides a range of ovens with Cool Touch Doors. The double, triple and quadruple glazed doors are designed to reduce the oven door's external surface temperature dramatically. Whilst eliminating heat on the outside surface, the Cool Touch Door provides extra insulation internally for efficient and faster cooking.



Recessed Grill Element

The Recessed Grill Element, on selected Domain ovens, was designed with practicality and safety. Not only does this feature reduce accidental contact with the element, concealing of the grill element has allowed maximum internal capacity.



Cavity Cooling System

When operational, the Cavity Cooling System uses multiple fans to eliminate the residual heat from cooking. Its purpose is to cool the oven after cooking to protect any adjacent cabinetry and the oven's internal components.



Easily Removable Door

All Domain ovens are equipped with an Easily Removable Door. Raise the latches on each hinge and the door will slide out effortlessly allowing easy access to the oven cavity.



Catalytic Self-Cleaning Liners

Catalytic Self-cleaning Liners are mounted on the sidewalls and back of the oven cavity. During cooking, grease and fat deposits are absorbed into the liners which reduce cooking odours. When the oven is operating the heat causes oxygen to be released from the liners. This process forces the grease and fat deposits to breakdown and oxidise leaving the liners renewed.



Pyrolytic

Pyrolytic cleaning is the ultimate in self-cleaning convenience. During the pyrolytic process the oven is heated to approximately 400°C. This extreme heat causes the residues from roasting, grilling and baking to reduce to a thin layer of ash at the base of the oven. It is then a easy wipe with a damp cloth to clean your oven once cooled.



Offering an enormous 105 litre capacity to handle the largest bowls, pots and baking trays, as well as timeless and streamlined aesthetics, the Domain FSD90-SS is the perfect companion to any serious home chef.



FSD90-SS

7 Function Italian Made Freestanding Cooker - 900mm

Functions

Defrost
Light
Bottom Element
Grill Element
Grill Element and Fan
Conventional Fan Forced
Top and Bottom Element

Cooktop Features

- Finger Mark Resistant Stainless Steel 5 Burner Gas Cooktop
- 2 Rapid Burners, 1 Semi Rapid, 1 Aux Burner and 1 Central Wok Burner
- Cast Iron Trivets
- Flame Failure Device

Oven Features

- Tangential Cooling Fan
- Triple Glazed Glass Door
- LED Programmable Timer
- Oven Light
- Net Oven Volume 105L
- Dimensions (WxHxD):
896mm x (935 - 1005mm) x 590mm

Standard Accessories

- 2 Sliding Racks and 1 Enamel Baking Tray



DEO-R90

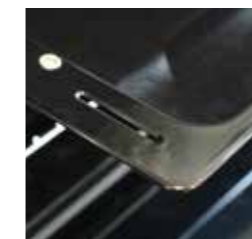
Premium 9 Function Fan Forced Electric Oven - 900mm

Functions

Light
Defrost
Top and Bottom Elements
Fan Forced
Half Grill
Full Grill
Full Grill and Convection
Rotisserie
Fan Forced and Bottom Element

Features

- 9 Functions
- 82 Litre Capacity
- Rotisserie
- Stainless Steel Fascia
- Triple Glazed Glass Doors
- Easily Removable Door
- Cavity Cooling System
- Digital LED Control Panel
- Push/Pull Knobs
- Mirror glass
- Dimensions (WxHxD):
895mm x 475mm x 548mm



DEO-911

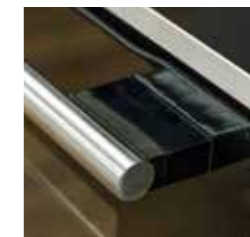
Pyrolytic 10 Function Fan Forced Electric Oven - 600mm

Functions

Light
Defrost
Convection Fan Forced
Cycle Grilling
Double Grilling
Radiant Grilling
Conventional Heat
Bottom Heat
Conventional and Fan
Pyrolytic

Features

- 10 Functions
- Fully Multifunction
- Pyrolytic Cleaning
- Quad Glazed Full Glass Door
- 70 Litre Capacity
- Closed Door Grill
- Easily Removable Door
- Enamel Cavity
- Cavity Cooling System
- Stainless Steel
- Digital LED Control Panel
- Push/Pull Aluminium Knobs
- 9 Hour Timer
- Dimensions (WxHxD):
595mm X 595mm X 575mm



**MEO-602****5 Function Fan Forced Electric Oven - 600mm****Functions**

Defrost
Light
Grill Element
Grill Element and Fan
Conventional Fan Forced

Features

- 5 Functions
- Double Glazed Tinted Glass Door
- 62 Litre Capacity
- Closed Door Grill
- Cavity Cooling System
- Mechanical Controls
- 2 Hour Timer
- Dimensions (WxHxD):
600mm X 600mm X 570mm

**DEO-315****5 Function Fan Forced Electric Oven - 600mm****Functions**

Defrost
Light
Convection Fan Forced
Radiant Grilling
Cycle Grilling

Features

- 5 Functions
- Triple Glazed Glass Door
- 68 Litre Capacity
- Closed Door Grill
- Easily Removable Door
- Cavity Cooling System
- Stainless Steel
- LED Display
- Aluminium Knobs
- Dimensions (WxHxD):
595mm X 595mm X 575mm

**DEO-609A****9 Function Fan Forced Electric Oven - 600mm****Functions**

Defrost
Light
Top Element
Convectional Baking
Pizza Function
Grill Element and Fan
Conventional Fan Forced
Top and Bottom Element
Grill Element

Features

- 9 Functions
- Triple Glazed Reflective Glass Door
- 62 Litre Capacity
- Catalytic Self Cleaning Liners (Both Sides and Rear)
- Closed Door Grill
- Easily Removable Door
- Cavity Cooling System
- Fingermark Resistant Stainless Steel
- Push/Pull Knobs
- 10 Hour Timer
- Dimensions (WxHxD):
595mm X 595mm X 572mm

**DEO-813A****9 Function Fan Forced Electric Oven - 600mm****Functions**

Light
Defrost
Convection Fan Forced
Cycle Grilling
Double Grilling
Radiant Grilling
Conventional Heat
Bottom Heat
Conventional and Fan

Features

- 9 Functions
- Fully Multifunction
- One Pair Full Telescopic Runners
- Tripled Glazed Glass Door
- 68 Litre Capacity
- Catalytic Self Cleaning Liners (Both Sides and Rear)
- Closed Door Grill
- Easily Removable Door
- Cavity Cooling System
- Stainless Steel
- Digital LED Control Panel
- Push/Pull Knobs
- 9 Hour Timer
- Dimensions (WxHxD):
595mm X 595mm X 575mm

**DDO-60****Double Fan Forced Electric Oven - 600mm****Functions**

Top Oven
Light
Bottom Element
Conventional
Half Grill

Bottom Oven

Defrost
Conventional
Fan Forced
Half Grill
Full Grill
Grill with Fan
Bottom Element with Fan
Intensive Bake
Fan Forced and Bottom Element

Features

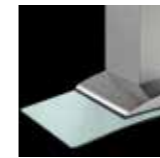
- Stylish Black Glass Fascia
- Triple Glazed Glass Doors
- Easily Removable Doors
- Top Oven**
- 36 Litre Capacity
- Bottom Oven**
- 24 Hour Timer
- LED Display
- Large 64 Litre Capacity
- Dimensions (WxHxD):
595mm x 885mm x 565mm

RANGEHOODS



Rangehoods

Domain's rangehoods are designed for simple responsive extraction and efficient performance. They extract steam, smoke, grease and cooking odours whilst incorporating contemporary design and quality sure to complement any modern kitchen.



Stylish Design

Domain understands the need to create the perfect cooking environment whilst incorporating your personal style and lifestyle. Whether it is the stunning sleek contemporary fascia and glass of the canopy rangehoods or the striking bold lines of the slideout rangehoods, you are sure to find a perfect style to suit any kitchen interior.



Illumination

All Domain rangehoods feature illumination to accomplish the best environment for the preparation and cooking. All models feature at minimum dual lights with some models even featuring high-powered and energy efficient LED globes.



High Quality Filters

The designer inspired Domain rangehoods feature high quality filters. Most models feature aluminium filters that are designed to collect cooking related particles. They are also designed to allow easy cleaning via the dishwasher.



Easy Control

Many of Domain's canopy rangehoods feature a streamlined electronic control panel. This centrally front located panel makes operation simple with just a touch.



Extraction or Recirculation

All of Domain's rangehoods can be operated in two different methods being extraction mode or recirculation mode.

Extraction mode allows expelling of the cooking vapours externally out of your home.

Recirculation mode filters the cooking vapours with charcoal filters (sold separately) eliminating cooking odours and then returning the filtered air back into the kitchen.



RHD60-CURV

Stainless Steel Curved Glass Canopy Rangehood - 600mm

Features

- Wall Mounted
- Stylish Stainless Steel Design
- Push Button Control
- 700m³/h Air Flow
- Triple Speed Fan
- Twin Lights
- 5 Layer Aluminium Filters
- Dishwashable Filter
- Extendable Flue to 0.9m

Note

Charcoal filters are sold separately (required in re-circulating use)

RHD90-CURV

Stainless Steel Curved Glass Canopy Rangehood - 900mm

Features

- Wall Mounted
- Stylish Stainless Steel Design
- Push Button Control
- 700m³/h Air Flow
- Triple Speed Fan
- Twin Lights
- 5 Layer Aluminium Filters
- Dishwashable Filters
- Extendable Flue to 0.9m

Note

Charcoal filters are sold separately (required in re-circulating use)

PCR-90A

Stainless Steel Curved Glass Canopy Rangehood - 900mm

Features

- Wall Mounted
- Designer Black Glass Control Panel
- Stylish Stainless Steel Design
- 1000m³/hr Air Flow
- Soft Touch Controls
- LED Display
- Triple Speed Fan
- 2 x 2W LED Lights
- Dual Aluminium Cassette Filters
- Dishwashable Filters
- Less than 58dB Noise Level
- Stainless Steel Telescopic Flue Extendable to 0.9m

Note

Charcoal filters are sold separately (required in re-circulating use)

ISL-909

Stainless Steel Curved Glass Island Rangehood - 900mm

Features

- Roof Mounted Island
- Stylish Stainless Steel Design
- Push Button Control
- 700m³/h Air Flow
- Triple Speed Fan
- LED Indicator lights
- 4 x 5W Lamps
- 5 Layer Aluminium Filters
- Dishwashable Filters
- Stainless Steel Telescopic Flue Extendable to 1m

Note

Charcoal filters are sold separately (required in re-circulating use)

SLR-6000

Stainless Steel Inbuilt Slide Out Rangehood - 600mm

Features

- Slide Out
- Auto On/Off Switch
- Twin Motor
- 2 X 25W Lamps
- Dual Speed Fan
- Stainless Steel Fascia Panel
- 440m³/h Air Flow
- 5 Layer Aluminium Filters
- Dishwashable Filters
- 40mm Height Fascia Panel

Note

Charcoal filters are sold separately (required in re-circulating use)

SLX-60

Premium Black Glass Inbuilt Slide Out Rangehood - 600mm

Features

- Slide Out
- Single Powerful Barrel Fan Motor
- 3W LED Strip Lighting
- Triple Speed Fan
- Touch Controls
- Stainless Steel Fascia Panel with Black Glass Front Overlay
- 500m³/h Air Flow
- Digital Clock
- Timer Delay
- Designer Aluminium Filters
- Dishwashable Filters
- 70mm Height Fascia Panel

Note

Charcoal filters are sold separately (required in re-circulating use)



SLR-90A

Stainless Steel Inbuilt Slide Out Rangehood - 900mm

Features

- Slide Out
- Auto On/Off Switch
- Slimline 40mm Fascia
- Stainless Steel Fascia
- 2 x 40W Lights
- Three Speeds
- Twin Motors
- 440m³/ hr Air Flow
- 5 Layer Aluminium Filters
- Dishwashable Filters
- 40mm Height Fascia Panel

Note

Charcoal filters are sold separately (required in re-circulating use)

SLP-9000

Stainless Steel Inbuilt Slide Out Rangehood - 900mm

Features

- Slide Out
- Auto On/Off Switch
- 2 x 2W LED Lamp
- Triple Speed Fan
- Stainless Steel Fascia Panel
- 700m³/h Air Flow
- 5 Layer Aluminium Filters
- Dishwashable Filters
- 55mm Height Fascia Panel

Note

Charcoal filters are sold separately (required in re-circulating use)

FMH-60B

Fixed Mount Rangehood - 600mm

Features

- Fixed Mount
- Twin Motor
- 1 X 25W Lamp
- Triple Speed Fan
- Stainless Steel Chassis
- 210m³ Air Flow
- Acrylic Filters



FMH90

Fixed Mount Rangehood - 900mm

Features

- Fixed Rangehood
- Stainless Steel Fascia
- 2 x 40W Lights
- Three Speeds
- Twin Motors
- 440m³/ hr Air Flow
- Push Button Controls
- 5 Layer Aluminium Filters
- Dishwashable Filters

Note

Charcoal filters are sold separately (required in re-circulating use)

UMH-52

Under Mount Rangehood - 600mm

Features

- Stainless Steel Under Mount
- 2 X 40W Lamps
- Triple Speed Fan
- Stainless Steel Panel
- 700m³/h Air Flow
- Slide Switch Control
- 5 Layer Aluminium Filters
- Dishwashable Filters

Note

Charcoal filters are sold separately (required in re-circulating use)

UMH-70

Under Mount Rangehood - 700mm

Features

- Stainless Steel Under Mount
- 2 X 20W Halogen Lamps
- Triple Speed Fan
- Stainless Steel Panel
- 650m³/h Air Flow
- Slide Switch Control
- 5 Layer Aluminium Filters
- Dishwashable Filters

Note

Charcoal filters are sold separately (required in re-circulating use)



RHD-TAPE-60S

Stainless Steel Tapered Canopy Rangehood - 600mm

Features

- Wall Mounted
- Stylish Stainless Steel Design
- Push Button Control
- 700m³/h Air Flow
- Triple Speed Fan
- Twin Lights
- 5 Layer Aluminium Filters
- Dishwashable Filters
- Stainless Steel Telescopic Flue extendable to 0.8m

Note

Charcoal filters are sold separately (required in re-circulating use)

RHD90-TAPE

Stainless Steel Tapered Canopy Rangehood - 900mm

Features

- Wall Mounted
- Stylish Stainless Steel Design
- Push Button Control
- 700m³/h Air Flow
- Triple Speed Fan
- Twin Lights
- 5 Layer Aluminium Filters
- Dishwashable Filters
- Stainless Steel Telescopic Flue extendable to 0.9m

Note

Charcoal filters are sold separately (required in re-circulating use)

RHD90-FLAT

Stainless Steel Flat Canopy Rangehood - 900mm

Features

- Wall Mounted
- Stylish Stainless Steel Design
- Push Button Control
- LED Light Indicators
- 700m³/h Air Flow
- Triple Speed Fan
- Twin Lights
- 5 Layer Aluminium Filters
- Dishwashable Filters
- Stainless Steel Telescopic Flue extendable to 0.9m

Note

Charcoal filters are sold separately (required in re-circulating use)



COOKTOPS

Cooktops

Domain has created a large range of cooktops including the latest in gas burners, electric and induction technologies. These powerful and easy to clean cooktops will deliver reliable quick heat to satisfy any home chef.

Gas



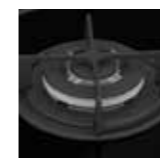
Safety

Many of the gas cooktops in the Domain range include a Flame Failure Device which shuts off the cooktop's gas supply if no flame is detected. This prevents unknown gas leakages making a Flame Failure Device one of the most popular safety features available.



Cast Iron Trivet Supports

Cast Iron Trivet Supports compliment the aesthetics of selected Domain gas cooktops with a sturdy, practical and professional base for your cookware. They provide support and stability for cooking and are standard inclusions for selected models.



Wok Burners

Wok Burners are designed to compliment popular stir fry cooking. Providing heat and rapid speed, these burners have additional trivet supports to accommodate woks and other pans with round bases.

Electric



Speed

High powered elements are tightly coiled under the glass surface ensuring ultrafast heat up times and a fast boiling point.



Easy to Clean

Domain's ceramic cooktops have external parts. The even non-porous blade of glass utilises touch controls so cleaning is as easy as quickly wiping across the surface with a dry cloth.



Residual Heat Indicators

Residual Heat Indicators indicate if a cooktop's surface has residual heat. This preventive feature indicates when it's hot enough to continue cooking.



Touch Control

Total control at your fingertips. Simple nine stage heat control with just a touch.

**GAS30-STD**

2 Burner Gas Cooktop - 300mm

Features

- Stainless Steel
- 2 Burners
- Electric Ignition Under Knob
- Flowform One Piece Base
- AGA Approved
- Made in Italy

Technical Information**Rapid Burner**

10.0 Mj/h

Auxilliary Burner

3.6 Mj/h

Appliance fitted with a 10amp 3 pin plug.

Optional

LPG Jets available on request

**GAS60-STD**

4 Burner Gas Cooktop - 580mm

Features

- Stainless Steel
- 4 Burners
- Electric Ignition Under Knob
- Flowform One Piece Base
- AGA Approved

Technical Information**Rapid Burner**

10.8 Mj/h

Semi Rapid Burners

6.3 Mj/h

Auxilliary Burner

3.6 Mj/h

Appliance fitted with a 10amp 3 pin plug.

Optional

LPG Jets available on request

**GAS60-CAST**

Stainless Steel Gas Cooktop + Cast Iron Trivets - 580mm

Features

- 4 Burners
- Stainless Steel
- 1 x Triple Ring Wok Burner
- Cast Iron Trivets
- Front Knob Controls
- One Piece Press For Ease of Cleaning
- AGA Approved
- Made in Italy

Technical Information**Wok Burner**

14.5 Mj/h

Rapid Burner

12.0 Mj/h

Semi Rapid Burners

7.1 Mj/h

Auxilliary Burner

4.1 Mj/h

Appliance fitted with a 10amp 3 pin plug.

Optional

LPG Jets available on request

ALSO AVAILABLE WITH FLAME FAILURE DEVICE IGC60-WOK

**GAS70-WOK**

Stainless Steel Gas Cooktop + FFD & Cast Iron Trivets - 680mm

Features

- 5 Burners
- 1 x Triple Ring Wok Burner
- Cast Iron Trivets
- Front Knob Controls
- Cut Out Dimensions same as 580mm Cooktop
- One Piece Press For Ease of Cleaning
- AGA Approved
- Made in Italy

Technical Information**Wok Burner**

14.5 Mj/h

Rapid Burner

12.0 Mj/h

Semi Rapid Burners

7.1 Mj/h

Auxilliary Burner

4.1 Mj/h

Appliance fitted with a 10amp 3 pin plug.

Optional

LPG Jets available on request

ALSO AVAILABLE WITH FLAME FAILURE DEVICE IGC70-WOK

**GAS90-WOK**

Stainless Steel Gas Cooktop + Wok Burner - 860mm

Features

- Includes Centre Triple Ring Wok Burner
- Electric Ignition Under Knob
- Front Knob Controls
- Slimline Design with Cast Iron Trivets
- One Piece Press For Ease of Cleaning
- AGA Approved
- Made in Italy

Technical Information**Wok Burner**

14.5 Mj/h

Rapid Burner

12.0 Mj/h

Semi Rapid Burners

7.1 Mj/h

Auxilliary Burner

4.1 Mj/h

Appliance fitted with a 10amp 3 pin plug.

Optional

LPG Jets available on request

ALSO AVAILABLE WITH FLAME FAILURE DEVICE IGC90-WOK

**GAS-SW-90**

Stainless Gas Cooktop + Side Wok Burner - 860mm

Features

- Includes Side Triple Ring Wok Burner
- Electric Ignition Under Knob
- Front Knob Controls
- Slimline Design with Cast Iron Trivets
- One Piece Press For Ease of Cleaning
- AGA Approved
- Made in Italy

Technical Information**Wok Burner**

14.5 Mj/h

Rapid Burner

12.0 Mj/h

Semi Rapid Burners

7.1 Mj/h

Auxilliary Burner

4.1 Mj/h

Appliance fitted with a 10amp 3 pin plug.

Optional

LPG Jets available on request

ALSO AVAILABLE WITH FLAME FAILURE DEVICE IGC-SW90

**IGC90-FISH**

Stainless Steel Gas Cooktop + FFD+Fish&Wok Burner-860mm

Features

- Includes Centre Fish Burner & Front Left Wok Burner
- Electric Ignition Under Knob
- Right Side Control Knobs
- Slimline Design With Cast Iron Trivets
- One Piece Press For Ease of Cleaning
- Flame Failure Device
- AGA Approved
- Made in Italy

Technical Information**Fish Burner**

10.1 Mj/h

Wok Burner

12.6 Mj/h

Semi Rapid Burners

5.0 Mj/h

Auxilliary Burner

3.6 Mj/h

Appliance fitted with a 10amp 3 pin plug.

Optional

LPG Jets available on request

**GOG-70-WOK**

Gas on Glass Cooktop + FFD + Wok Burner - 680mm

Features

- Glass Base
- Easy to Clean
- 5 Burners
- Electric Ignition Under Knob
- Cast Iron Trivets
- Flame Failure Device
- AGA Approved
- Made in Italy

Technical Information**Ultra Rapid Burner**

13.0MJ

Rapid Burner

12.0MJ

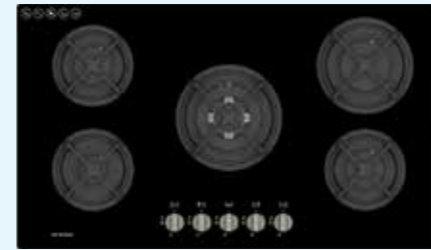
Semi Rapid Burners

7.1MJ

Auxiliary Burner

4.1MJ

Appliance fitted with a 10amp 3 pin plug.

**GOG-90-WOK**

Gas on Glass Cooktop + FFD + Wok Burner - 860mm

Features

- Glass Base
- Easy to Clean
- 5 Burners
- Electric Ignition Under Knob
- Cast Iron Trivets
- Flame Failure Device
- AGA Approved
- Made in Italy

Technical Information**Ultra Rapid Burner**

13.0MJ

Rapid Burner

12.0MJ

Semi Rapid Burners

7.1MJ

Auxiliary Burner

4.1MJ

Appliance fitted with a 10amp 3 pin plug.

**GOG-60-PR**

Premiuim Gas on Glass Cooktop + FFD + Wok Burner - 610mm

Features

- European Tempered Black Glass Base
- Easy to Clean
- Extra Powerful Triple Ring Wok Burner
- 4 Burners
- Electric Ignition Under Knob
- Flat Cast Iron Trivets
- Flame Failure Device
- AGA Approved
- Made in Italy

Technical Information**Ultra Rapid Burner**

14.4MJ

Rapid Burner

10.8MJ

Semi Rapid Burner

6.3MJ

Auxiliary Burner

3.6MJ

Appliance fitted with a 10amp 3 pin plug.

**GOG-70-PR**

Premiuim Gas on Glass Cooktop + FFD + Wok Burner - 700mm

Features

- European Tempered Black Glass Base
- Easy to Clean
- Extra Powerful Triple Ring Wok Burner
- 5 Burners
- Electric Ignition Under Knob
- Flat Cast Iron Trivets
- Flame Failure Device
- AGA Approved
- Made in Italy

Technical Information**Ultra Rapid Burner**

14.4MJ

Rapid Burner

10.8MJ

Semi Rapid Burner

6.3MJ

Semi Rapid Burner

5.0MJ

Auxiliary Burner

3.6MJ

Appliance fitted with a 10amp 3 pin plug.

**GOG-90-PR**

Premiuim Gas on Glass Cooktop + FFD + Side Wok Burner - 870mm

Features

- European Tempered Black Glass Base
- Easy to Clean
- Extra Powerful Triple Ring Side Wok Burner
- 5 Burners
- Electric Ignition Under Knob
- Flat Cast Iron Trivets
- Flame Failure Device
- AGA Approved
- Made in Italy

Technical Information**Ultra Rapid Burner**

14.4MJ

Rapid Burner

10.8MJ

Semi Rapid Burner

6.2MJ

Semi Rapid Burner

5.4MJ

Auxiliary Burner

3.6MJ

Appliance fitted with a 10amp 3 pin plug.

**CER30****Ceramic Glass Electric Cooktop with Touch Controls - 300mm****Features**

- Two Hot Plates
- Thermostat
- Residual Heat Indicator
- Easy to Clean
- 9 Stage Power Setting
- Child Safety Lock
- Timer
- SAA Approved

Technical Information**Front Burner**

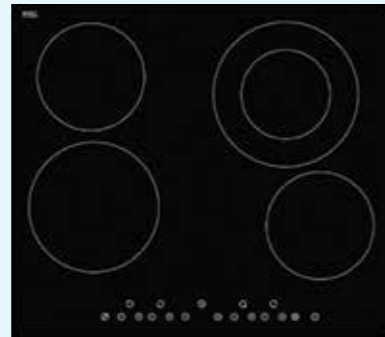
1200W

Rear Burner

1800W

Maximum Load at 230V

3000W

**CER60-T2****Ceramic Glass Electric Cooktop with Touch Controls - 590mm****Features**

- Four Hot Plates Including 1 Double Ring
- Thermostat
- Residual Heat Indicator
- Easy to Clean
- 9 Stage Power Setting
- Child Safety Lock
- Timer
- SAA Approved

Technical Information**Front Left Burner**

1800W

Rear Left Burner

1200W

Front Right Burner

1200W

Rear Right Burner

2200W

Maximum Load at 230V

6400W

**CER70-T****Ceramic Glass Electric Cooktop with Touch Controls - 700mm****Features**

- Four Hot Plates Including 1 Double Ring
- Thermostat
- Residual Heat Indicator
- Easy to Clean
- 9 Stage Power Setting
- Child Safety Lock
- Timer
- SAA Approved

Technical Information**Front Left Burner**

1800W

Rear Left Burner

1200W

Front Right Burner

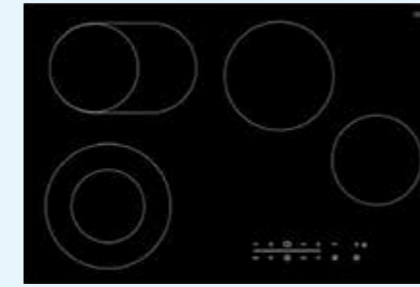
1200W

Rear Right Burner

2200W

Maximum Load at 230V

6400W

**CER77-T****Ceramic Glass Electric Cooktop with Touch Controls - 770mm****Features**

- Four Hot Plates Including 1 Double Ring and 1 Dual Zone
- Thermostat
- Residual Heat Indicator
- Easy to Clean
- 9 Stage Power Setting
- Child Safety Lock
- Timer
- SAA Approved

Technical Information**Front Left Burner**

2200W

Rear Left Burner

2000W

Front Right Burner

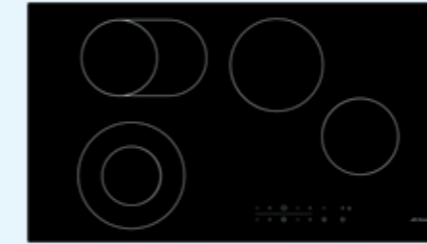
1200W

Rear Right Burner

1800W

Maximum Load at 230V

7200W

**CER90-4T****Ceramic Glass Electric Cooktop with Touch Controls - 900mm****Features**

- Four Hot Plates Including 1 Double Ring and 1 Dual Zone
- Thermostat
- Residual Heat Indicator
- Easy to Clean
- 9 Stage Power Setting
- Child Safety Lock
- Timer
- SAA Approved

Technical Information**Front Left Burner**

2200 / 1100W

Rear Left Burner

2000W / 1100W

Front Right Burner

1200W

Rear Right Burner

1800W

Maximum Load at 230V

7800W

**CER90-5T****Ceramic Glass Electric Cooktop with Touch Controls - 900mm****Features**

- Five Hot Plates Including 1 Double Ring and 1 Dual Zone
- Thermostat
- Residual Heat Indicator
- Easy to Clean
- 9 Stage Power Setting
- Child Safety Lock
- Timer
- SAA Approved
- Made in Italy

Technical Information**Front Left Burner**

2200 / 750W

Rear Left Burner

1200W

Front Right Burner

1200W

Rear Right Burner

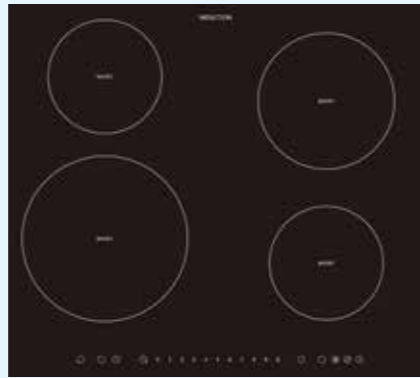
1800W

Centre Burner

2400 / 1500W

Maximum Load at 230V

8800W



Induction Cooktops

Induction is the safest and most efficient cooking method. It cooks faster than other direct heat sources (gas and ceramic) and has great control. From boil to a fine simmer in seconds.

Induction cooktops are unlike traditional methods that rely on the surface of the pan being directly heated by gas or electric burners.

Under the glass surface of the induction cooktop are generators that send high frequency current through the glass surface into the pan placed on the cooktop. These magnetic currents heat up the pan directly, not the cooktop.

IND60-C

Premium Ceramic Glass Induction Cooktop - 590mm

Features

- Premium Dual Bridge Technology - Greater Control
- Four Zone BOOST
- Pan Sensor
- Thermostat
- Residual Heat Indicators
- Easy to Clean
- Touch Controls
- 9 Stage Power Setting
- Direct Power Setting
- Pan Sensor
- Child Safety Lock
- Timer
- SAA Approved

Technical Information

Front Left Burner

2200W / 3600W with boost

Rear Left Burner

1400W / 2000W with boost

Front Right Burner

1400W / 2000W with boost

Rear Right Burner

2200W / 3000W with boost

Maximum Load at 230V

7200W

IND77-BT

Ceramic Glass Induction Cooktop with Touch Controls - 770mm

Features

- Four Hot Plates
- Pan Sensor
- Residual Heat Indicator
- Easy to Clean
- Touch Controls
- 9 Stage Power Setting
- Child Safety Lock
- Timer
- SAA Approved
- Made in Italy

Technical Information

Front Left Burner

2000W

Rear Left Burner

1600W

Front Right Burner

1600W

Rear Right Burner

2000W

Maximum Load at 230V

7200W



SINKS

Sinks

Great sinks integrate with benchtops. They aesthetically blend with the kitchen and perfectly perform as intended. Domain's range of sinks suit all culinary needs and kitchen sizes whilst providing options for classic to contemporary designs.



Stainless Steel 18/10

Domain only uses extremely high grade stainless steel. The high quality and durable construction ensures your sink will be highly resistant to stains, rust and corrosion while maintaining a bright attractive shine.



Food Preparation Area

Every Domain sink is designed with the importance of being an ideal food preparation area that is a pleasure to use. Even more importantly our stainless steel is completely inert and as such will not hold bacteria.



Laser Edge

All of Domain's top mounted sinks have a laser cut flat steel double edged profile. This ensures a smooth hygienic flush fit to your benchtop. They also have a water protection rim to prevent water from spilling over the sink edge.



Sound Deadening Panels

All of Domain's undermount sinks incorporate particularly placed sound deadening panels to minimise the noise created when either filling or draining your sink.



Hygienic Integrated Waste

The integrated waste is formed as part of the bowl. The rounded edge of this design and that of the waste basket allows easy cleaning. Just like our sinks, the waste basket is also made from stainless steel for hygiene. The stainless steel bearing on the bottom of the stem allows the waste basket to stop water flow when pushed down and when left up it will act as a sieve for foodstuffs.

**POL-100****Polished Single Bowl Kitchen Sink and Drainer - 780mm****Features**

- Deep Bowl
- Stainless Steel Sink (Polished Finish)
- 0.8mm AISI-304 18/10 Grade Stainless Steel
- Laser Cut Edges, Square Corners
- Overall Width: 780mm
- Supplied with Designer Waste and Plug

Technical Information**Cutout Dimensions (WxL):**

755mm x 455mm

Dimensions (WxLxH):

780mm x 480mm x 170mm

Bowl Size (WxLxH):

330mm x 380mm x 170mm

**POL-150****Polished 1+1/2 Bowl Kitchen Sink and Drainer - 980mm****Features**

- 1+1/2 Bowl Stainless Steel Sink
- Stainless Steel Sink (Polished Finish)
- 0.8mm AISI-304 18/10 Grade Stainless Steel
- Laser Cut Edges, SquARE Corners
- Overall Width: 980mm
- Supplied with Designer Waste and Plug

Technical Information**Cutout Dimensions (WxL):**

955mm x 455mm

Dimensions (WxLxH):

980mm x 480mm x 170mm

Main Bowl Size (WxLxH):

330mm x 380mm x 170mm

Second Bowl Size (WxLxH):

200mm x 300mm x 145mm

**POL-175****Polished 1+3/4 Bowl Kitchen Sink and Drainer - 1080mm****Features**

- 1+3/4 Bowl
- Stainless Steel Sink (Polished Finish)
- 0.8mm AISI-304 18/10 Grade Stainless Steel
- Laser Cut Edges, Square Corners
- Overall Width: 1080mm
- Supplied with Designer Waste and Plug

Technical Information**Cutout Dimensions (WxL):**

1055mm x 455mm

Dimensions (WxLxH):

1080mm x 480mm x 170mm

Main Bowl Size (WxLxH):

330mm x 380mm x 170mm

Second Bowl Size (WxLxH):

278mm x 278mm x 145mm

**POL-200****Polished Double Bowl Kitchen Sink and Drainer - 1180mm****Features**

- 1+1 Bowl
- Stainless Steel Sink (Polished Finish)
- 0.8mm AISI-304 18/10 Grade Stainless Steel
- Laser Cut Edges, Square Corners
- Overall Width: 1180mm
- Supplied with Designer Waste and Plug

Technical Information**Cutout Dimensions (WxL):**

1155mm x 455mm

Dimensions (WxLxH):

1180mm x 480mm x 170mm

Main Bowl Size (WxLxH):

330mm x 380mm x 170mm

Second Bowl Size (WxLxH):

330mm x 380mm x 170mm

**DD-200-POL****Polished Double Bowl Kitchen Sink and Dual Drainer - mm****Features**

- 1+1 Bowl and Dual Drainers
- Stainless Steel Sink (Polished Finish)
- 0.8mm AISI-304 18/10 Grade Stainless Steel
- Laser Cut Edges, Square Corners
- Overall Width: 1380mm
- Supplied with Designer Waste and Plug

Technical Information**Cutout Dimensions (WxL):**

1355mm x 455mm

Dimensions (WxLxH):

1380mm x 480mm x 170mm

Main Bowl Size (WxLxH):

330mm x 380mm x 170mm

Second Bowl Size (WxLxH):

330mm x 380mm x 170mm

**HTM-150****Premium Top Mount 1+1/2 Kitchen Sink with Drainer - 1080mm****Features**

- Deep 22mm 1+1/2 Bowl Sink
- Stainless Steel (Lightly Brushed Satina Finish)
- Extra Strong 1.2mm AISI-304 18/10 Grade Standard
- Modern Square Designer Look
- Hand Made Tight Corner Radius Bowls
- Supplied with Designer Waste and Plug

Technical Information**Dimensions (WxLxH):**

1080mm x 500mm x 220mm

Main Bowl Size (WxL):

350mm x 400mm

Second Bowl Size (WxL):

245mm x 285mm

HTM-175**Premium Top Mount 1+3/4 Kitchen Sink with Drainer - 1200mm****Features**

- Deep 22mm 1+3/4 Bowl Sink
- Stainless Steel (Lightly Brushed Satina Finish)
- Extra Strong 1.2mm AISI-304 18/10 Grade Standard
- Modern Square Designer Look
- Hand Made Tight Corner Radius Bowls
- Supplied with Designer Waste and Plug

Technical Information**Dimensions (WxLxH):**

1200mm x 500mm x 220mm

Main Bowl Size (WxL):

350mm x 400mm

Second Bowl Size (WxL):

295mm x 340mm

GSB-175-22**1 + 3/4 Bowl Tempered Glass Black Designer Kitchen Sink with Drainer - 1110mm****Features**

- Modern designer look
- Tempered Black Glass surround and drain tray
- Deep 200mm 1 + 3/4 bowls
- Stainless Steel (satin finish) bowls
- 1.2mm AISI-304 18/10 Grade Standard
- Rounded Inner Corners
- Supplied with Designer Waste and Plug
- Sound deadening pads on bowls
- Anti-corrison coating on bowls

Technical Information**Dimensions (WxLxH):**

1110mm x 520mm x 200mm

Main Bowl Size (WxL):

350mm x 400mm

Second Bowl Size (WxL):

300mm x 400mm

**UM-450-22****Single Bowl Undermount Kitchen Sink - 450mm****Features**

- Deep Single Bowl
- Stainless Steel (satin finish)
- 1.2mm AISI-304 18/10 Grade Standard
- Modern Undermount Design
- Rounded Inner Corners
- Supplied with Designer Waste and Plug
- Sound Deadening Pads on Bowls
- Anto-corrison Coating on Underside

Technical Information**Dimensions (WxLxH):**

450mm x 450mm x 220mm

Bowl Size (WxL):

410mm x 410mm

UM-550-22**Single Bowl Undermount Kitchen Sink - 550mm****Features**

- Deep Single Bowl
- Stainless Steel (satin finish)
- 1.2mm AISI-304 18/10 Grade Standard
- Modern Undermount Design
- Rounded Inner Corners
- Supplied with Designer Waste and Plug
- Sound Deadening Pads on Bowls
- Anto-corrison Coating on Underside

Technical Information**Dimensions (WxLxH):**

550mm x 450mm x 220mm

Bowl Size (WxL):

510mm x 410mm

UM-715-20**Double Bowl Undermount Kitchen Sink - 715mm****Features**

- Deep Double Bowl
- Stainless Steel (satin finish)
- 1.2mm AISI-304 18/10 Grade Standard
- Modern Undermount Design
- Rounded Inner Corners
- Supplied with Designer Waste and Plug
- Sound Deadening Pads on Bowls
- Anto-corrison Coating on Underside
- Reinforcement Between Bowls

Technical Information**Dimensions (WxLxH):**

715mm x 440mm x 200mm

Main Bowl Size (WxL):

450mm x 400mm

Second Bowl Size (WxL):

200mm x 400mm

**UM-760-22****Double Bowl Undermount Kitchen Sink - 760mm****Features**

- Deep Double Bowl
- Stainless Steel (satin finish)
- 1.2mm AISI-304 18/10 Grade Standard
- Modern Undermount Design
- Rounded Inner Corners
- Supplied with Designer Waste and Plug
- Sound Deadening Pads on Bowls
- Anto-corrision Coating on Underside
- Reinforcement Between Bowls

Technical Information**Dimensions (WxLxH):**

760mm x 440mm x 220mm

Bowl Sizes (WxL):

340mm x 400mm

UM-865-22**Double Bowl Undermount Kitchen Sink - 865mm****Features**

- Deep DoubleBowl
- Stainless Steel (satin finish)
- 1.2mm AISI-304 18/10 Grade Standard
- Modern Undermount Design
- Rounded Inner Corners
- Supplied with Designer Waste and Plug
- Sound Deadening Pads on Bowls
- Anto-corrision Coating on Underside
- Reinforcement Between Bowls

Technical Information**Dimensions (WxLxH):**

865mm x 440mm x 220mm

Bowl Sizes (WxL):

390mm x 400mm

UM-1114D-22**Double Bowl Undermount Kitchen Sink with Drainer - 1114mm****Features**

- Deep Double Bowl
- Stainless Steel (satin finish)
- 1.2mm AISI-304 18/10 Grade Standard
- Modern Undermount Design
- Rounded Inner Corners
- Supplied with Designer Waste and Plug
- Sound Deadening Pads on Bowls
- Anto-corrision Coating on Underside
- Reinforcement Between Bowls

Technical Information**Dimensions (WxLxH):**

1114mm x 440mm x 220mm

Main Bowl Size (WxL):

340mm x 400mm

Second Bowl Size (WxL):

340mm x 400mm

**UM-530-25****Premium Topmount Laundry Trough / Sink - 530mm****Features**

- Extra Deep 255mm Bowl
- Modern Topmount Design
- Stainless Steel (satin finish)
- 1.2mm AISI-304 18/10 Grade Standard
- 35mm Tap Hole
- Square Corners
- Supplied with Designer Waste and Plug
- Sound Deadening Pads on Bowls
- Anto-corrision Coating on Underside

Technical Information**Dimensions (WxLxH):**

530mm x 505mm x 255mm

Bowl Size (WxL):

390mm x 400mm

INSET-35L**Topmount Laundry Trough / Sink - 560mm****Features**

- Deep Single Bowl
- Top Mount
- 35 Litre Capacity
- Stainless Steel Sink (Polished Finish)
- 0.8mm AISI-304 18/10 Grade Standard
- Two 35mm Tap Holes
- Supplied with Designer Waste and Laundry Bypass Kit

Technical Information**Dimensions (WxLxH):**

460mm x 480mm x 220mm

Bowl Size (WxL):

460mm x 380mm

INSET-45L**Topmount Laundry Trough / Sink - 600mm****Features**

- Deep Single Bowl
- Top Mount
- 45 Litre Capacity
- Stainless Steel Sink (Polished Finish)
- 0.8mm AISI-304 18/10 Grade Standard
- Two 35mm Tap Holes
- Supplied with Designer Waste and Laundry Bypass Kit

Technical Information**Dimensions (WxLxH):**

600mm x 500mm x 220mm

Bowl Size (WxL):

525mm x 420mm

TAPS & MIXERS

Add the final finishing touch to your kitchen. Domain has kitchen taps that whilst hard working, water saving and functional are also fashionable products that will perfectly suit and reflect your lifestyle.

Taps & Mixers



FLK-STD

Common Flick Mixer Tap

Features

- 40mm Cartridge
- Flow Rate: 8.0 L/min
- Benchtop Hole Diameter: 37mm
- Spout Reach Length: 226mm
- Spout Reach Height: 129mm
- 3 Star Water Rating
- 500 KPA
- WELS Certified



FLK-SQ

Square Design Common Flick Mixer Tap

Features

- 35mm Cartridge
- Flow Rate: 6.5 L/min
- Benchtop Hole Diameter: 32 - 38mm
- Spout Reach Length: 242mm
- Spout Reach Height: 128mm
- 4 Star Water Rating
- 500 KPA
- WELS Certified



FLK-PULL-STD

Pull Out Flick Mixer Tap

Features

- Pull Out Spout
- 40mm Cartridge
- Flow Rate: 8.0 L/min
- Benchtop Hole Diameter: 38mm
- Spout Reach Length: 189mm
- Spout Reach Height: 118mm
- 3 Star Water Rating
- 500 KPA
- WELS Certified



FLK-PULL-PR

Premium Pull Out Mixer Tap

Features

- 35mm Cartridge
- Flow Rate: 7.0 L/min
- Benchtop Hole Diameter: 32 - 38mm
- Spout Reach Length: 193mm
- Spout Reach Height: 130mm
- 500 KPA
- 4 Star Water Rating
- WELS Certified



GSE-SQ-FLAT

Square Design Kitchen Mixer Tap

Features

- 35mm Cartridge
- Flow Rate: 6.5 L/min
- Benchtop Hole Diameter: 32 - 38mm
- Spout Reach Length: 192mm
- Spout Reach Height: 291mm
- 500 KPA
- 4 Star Water Rating
- WELS Certified



GSE-PIN-STD

Gooseneck Kitchen Mixer Tap

Features

- 35mm Cartridge
- Flow Rate: 6.5 L/min
- Benchtop Hole Diameter: 32 - 38mm
- Spout Reach Length: 210mm
- Spout Reach Height: 235mm
- 500 KPA
- 4 Star Water Rating
- WELS Certified



GSE-PIN-PULL

Gooseneck Kitchen Mixer Tap with Pull Out Nozzle

Features

- 35mm Cartridge
- Flow Rate: 6.5 L/min
- Benchtop Hole Diameter: 32 - 38mm
- Spout Reach Length: 234mm
- Spout Reach Height: 234mm
- 500 KPA
- 4 Star Water Rating
- WELS Certified



SPRING-PULL-STD

Spring Neck Pull Out Vege Sprayer Kitchen Mixer Tap

Features

- 35mm Cartridge
- Flow Rate: 6.0 L/min
- Benchtop Hole Diameter: 32 - 38mm
- Spout Reach Length: 239mm
- Spout Reach Height: 195mm
- 500 KPA
- 5 Star Water rating
- WELS Certified

DISHWASHERS

Dishwashers

Cleaning up should be as easy and enjoyable as cooking. Boasting clean European-inspired looks and utilising the latest in technology, water and power efficiency, Domain's dishwashers ensure that glistening clean plates are only a push of a button away.



60cm Freestanding Dishwashers

The 60cm freestanding dishwasher is the most common dishwasher in Australian households. They are spacious and feature an easy to use two tray layout.

Domain's freestanding dishwashers come standard with half load functions and modern stainless steel fascias.



60cm Freestanding Premium Dishwashers

Domain's 60cm freestanding premium dishwashers offer the same great features as the standard models. In addition they offer advanced features such as an extra dry functions, digital displays, top cutlery trays and also huge 14 place setting capacities.



45cm Slimline Freestanding Dishwashers

Slimline freestanding dishwashers are available in 45cm widths. They are very popular in smaller kitchens when space is important but versatility is still required.



Drawer Dishwashers

Domain's drawer dishdrawers are self contained, easy to open and can be conveniently positioned at bench height allowing easy loading and unloading with minimal bending. They are easily concealed within cabinetry to seamlessly blend into your kitchen. Domain's drawer dishwashers are extremely well suited to modern lifestyles and smaller living spaces.



Fully Integrated Dishwashers

Fully integrated dishwashers provide seamless integration into any kitchen. They blend seamlessly into your kitchen by allowing you to supply your own door to match your cabinetry.

Domain's fully integrated dishwashers are available in standard 60cm and drawer based models.



Benchtop Dishwashers

Domain's benchtop dishwashers are an ideal option for kitchens with extreme space limitations whilst still giving the convenience of a dishwasher. They are easy to move in and out of the kitchen whenever required.

**DWB-S / DWB-W****6 Place Benchtop Dishwasher - 550mm****Features**

- Freestanding Benchtop Dishwasher
- Silver or White Finish
- Push Button Functions: On/ Off/ Start/ Reset/ Delay/ 3in1
- Six Cleaning Programs:
 - Intensive - Heavy - Normal
 - Glass - Rapid - Soak
- Water Sensor
- Antiflood Device
- Easy to Clean Filter
- Stainless Steel Interior Tub
- Foldable Plate Racks
- Cutlery Basket
- Detergent and Rinse Aid Dispenser
- Residual Drying System
- Delay Start from 1-24 hours
- LED Remaining Time and Delay Time Indicator
- Max. Plate Diameter of 25.4mm
- Standard 3/4in Inlet Hose (connect to either cold or hot water tap)
- 1.2m Inlet and Outlet Hose Lengths
- 2.5 Star Water Rating
- WELS Approved
- Dimensions (WxHxD): 550mm x 438mm x 500mm

**DWI-SS****6 Place Integrated Drawer Dishwasher- 600mm****Features**

- Integrated Electronic Dishwasher Drawer
- Removable Stainless Steel Door for Custom Panels
- 6 Standard Place Settings
- 7 Washing Programs
- Stainless Steel Interior
- LED Display
- Anitflood Device
- Automatic Detergent Dispenser
- Delay Start
- Easy Cleaning Filter System
- Hidden Heating Element
- 2.0 Star Energy Rating
- 2.5 Star Water Rating
- WELS Approved
- SAA Approved
- Dimensions (WxHxD): 590mm x 475mm x 500mm

**DW45****8 Place Stainless Steel Dishwasher - 450mm****Features**

- Slimline Electronic Freestanding Dishwasher
- Push Button Function Controls
- 8 Standard Place Settings
- 6 Washing Programs
- Adjustable Height Upper Basket
- Flat Panel Modern European Design
- Stainless Steel Interior
- Anitflood Device
- Delay Start (3/6/9/12hrs)
- Automatic Detergent Dispenser
- Self Cleaning Filter System
- Collapsible Plate Racks
- Removable Top For Built-in Installation
- 52dB
- 2 Star Water Rating
- WELS Approved
- MEPS Approved
- Dimensions (WxHxD): 450mm x 850mm x 580mm

**DW60-DP****12 Place Stainless Steel Dishwasher - 600mm****Features**

- Electronic Freestanding Dishwasher
- 12 Standard Place Settings
- 5 Washing Programs
- Adjustable Height Upper Basket
- Half Load Wash Function
- Flat Panel Modern European Design
- 5 Washing Programs
- Stainless Steel Interior
- Adjustable Automatic Rinse Agent Dispenser
- Automatic Detergent Dispenser
- Safety Interlock Door Mechanism
- Super Quiet Operation
- Removable Top For Built-in Installation
- 55dB
- 4 Star Water Rating
- WELS Approved
- MEPS Approved
- Dimensions (WxHxD): 600mm x 850mm x 580mm

**DW60-INT****12 Place Fully Integrated Dishwasher - 600mm****Features**

- Fully Integrated Electronic Dishwasher
- Removable Stainless Steel Door for Custom Panels
- Push Button Functions: On/ Off/ Program/ Half Load/ Delay
- Six Cleaning Programs:
 - Intensive - Heavy - Normal
 - Glass - Rapid - 1 Hour
- Water Sensor
- Delay Start (3/6/9/12hrs)
- Hidden Heating Element
- Antiflood Device
- Easy to Clean Filter
- Stainless Steel Interior Tub
- Cutlery Basket
- Detergent and Rinse Aid Dispenser
- 4.5 Star Water Rating
- WELS Approved
- Dimensions (WxHxD): 598mm x 815mm x 550mm(no door)

**DW60-PR1****14 Place Stainless Steel Dishwasher - 600mm****Features**

- Electronic Freestanding Dishwasher
- 14 Standard Place Settings
- Extra Dry Function
- 7 Washing Programs
- Top Cutlery Tray
- LED Display
- Adjustable Height Upper Baskets
- Dualzone Wash Function (Top or Bottom)
- Stainless Steel Interior
- Adjustable Automatic Rinse Agent Dispenser
- Automatic Detergent Dispenser
- Delay Start (1 - 24hrs)
- Self Cleaning Stainless Steel Micro-Filter
- Collapsible Plate Racks
- Safety Interlock Door Mechanism
- Super Quiet Operation
- Removable Top For Built-in Installation
- 49dB
- 4.5 Star Water Rating
- WELS Approved
- MEPS Approved
- Dimensions (WxHxD): 600mm x 845mm x 598mm

MICROWAVES

Domain's microwave ovens are elegantly designed to seamlessly integrate into your kitchen and save time. They offer features such as convection, microwave and grilling to allow quick preparation of your dishes. You can even brown or crisp food for a restaurant quality presentation.

Microwaves



MWF-34

34 Litre Microwave Oven Stainless Steel

Features

- Freestanding Microwave
- Large 34 Litre Cavity
- Stainless Steel Fascia
- Touch Control Panel
- Easy Push Button Door Opening
- 1100W Microwave Output
- 10 Power Levels
- Defrost (weight or time)
- 9 Auto Menus
- Child Safety Lock
- Dimensions (WxHxD):
520mm x 310mm x 430mm

MWB-32

Premium Built In Microwave Grill and Convection - 600mm

Features

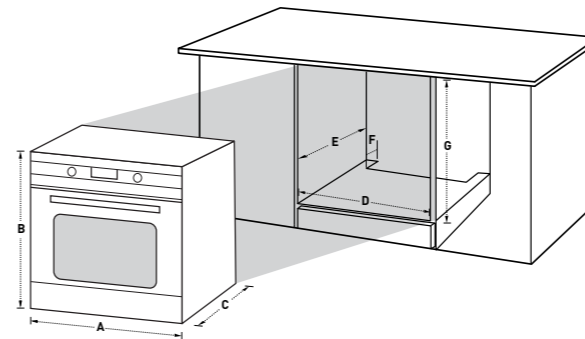
- Fully Built In Microwave
- Large 32 Litre Cavity
- Stainless Steel Cavity
- Stainless Steel Fascia and Control Panel
- Easy Push Button Door Opening
- 1000W Microwave Output
- 1100W Grill Output
- 2300W Convection Power
- 5 Power Levels
- Defrost (weight or time)
- 10 Auto Menus
- Child Safety Lock
- Dimensions (WxHxD):
595mm x 388mm x 480mm

TECHNICAL SPECIFICATIONS

Technical Specifications

OVENS

External and Installation Dimensions

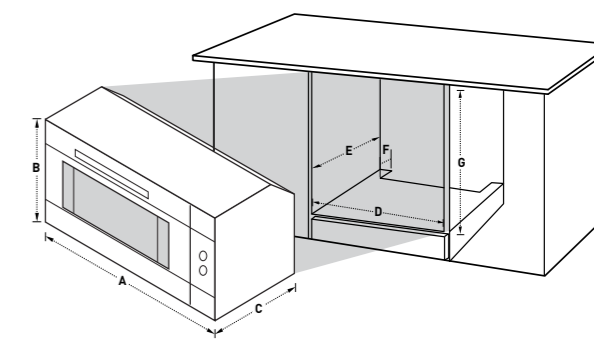


MEO-602

A 600mm
B 600mm
C 570mm
D 560mm
E 550mm
F 100mm
G 600mm

DEO-813A

A 595mm
B 595mm
C 575mm
D 560mm
E 550mm
F 100mm
G 600mm



DEO-R90

A 895mm
B 475mm
C 548mm
D 860mm
E 550mm
F 100mm
G 480mm

DEO-315

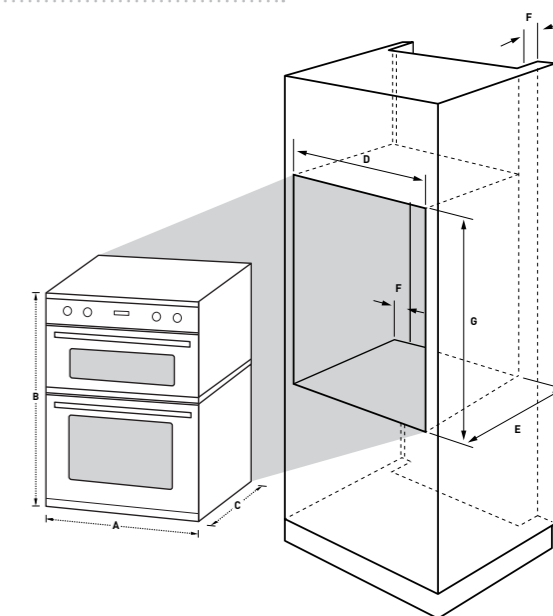
A 595mm
B 595mm
C 575mm
D 560mm
E 550mm
F 100mm
G 600mm

DEO-911

A 595mm
B 595mm
C 575mm
D 560mm
E 550mm
F 100mm
G 600mm

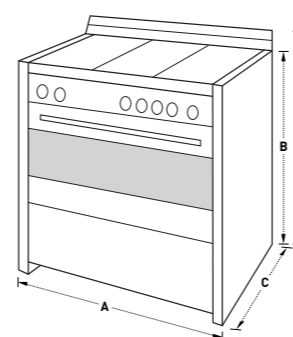
DEO-609A

A 595mm
B 595mm
C 572mm
D 560mm
E 550mm
F 100mm
G 600mm



DDO-60

A 595mm
B 885mm
C 565mm
D 560mm
E 560mm
F 100mm
G 890mm



FSD90-SS

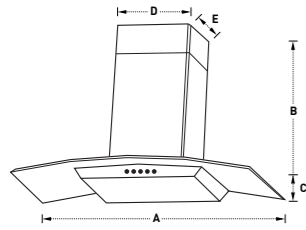
A 896mm
B 875-945mm
C 590mm
D 935-1005mm

PLEASE NOTE

Please ensure proper ventilation in cabinetry as shown in installation diagrams

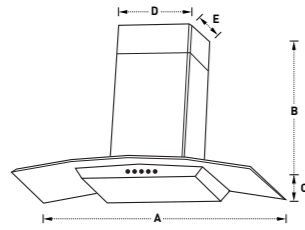
RANGEHOODS

External Dimensions



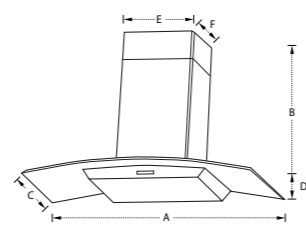
RHD60-CURV

- A** 600mm
- B** 490-940mm
- C** 65mm
- D** 276mm
- E** 279mm



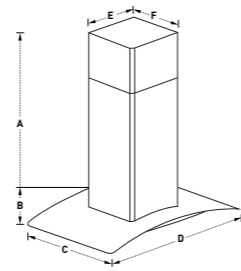
RHD90-CURV

- A** 898mm
- B** 490-940mm
- C** 65mm
- D** 276mm
- E** 279mm



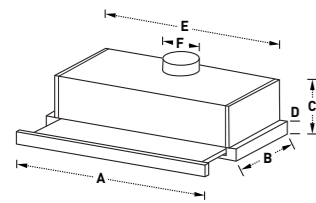
PCR-90A

- A** 898mm
- B** 490-940mm
- C** 500mm
- D** 50mm
- E** 270mm
- F** 280mm



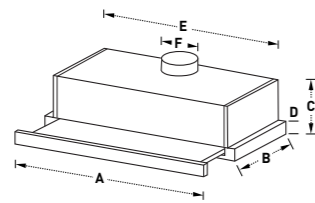
ISL-909

- A** 635-1225mm
- B** 70mm
- C** 600mm
- D** 895mm
- E** 332mm
- F** 313mm



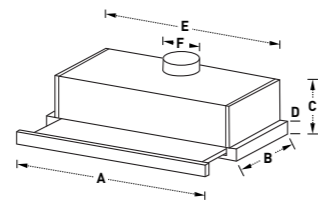
SLX-60

- A** 600mm
- B** 286mm
- C** 200mm
- D** 70mm
- E** 550mm
- F** 150mm



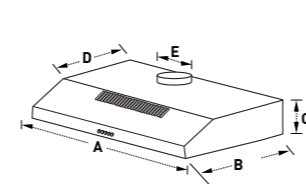
SLR-90A

- A** 900mm
- B** 280mm
- C** 175mm
- D** 40mm
- E** 850mm
- F** 120mm



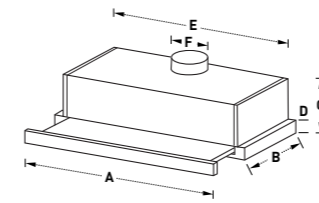
SLP-9000

- A** 898mm
- B** 293mm
- C** 275mm
- D** 54.5mm
- E** 760mm
- F** 150mm



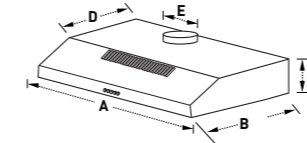
FMH-60B

- A** 596mm
- B** 480mm
- C** 85mm
- D** 340mm
- E** 120mm



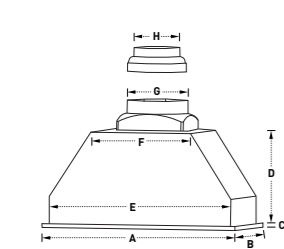
SLR-6000

- A** 600mm
- B** 283mm
- C** 177mm
- D** 40mm
- E** 550mm
- F** 120mm



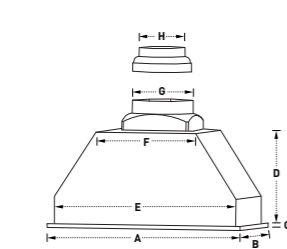
FMH-90

- A** 900mm
- B** 500mm
- C** 150mm
- D** 340mm
- E** 120mm



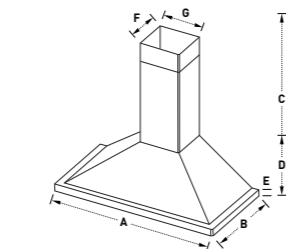
UMH-52

- A** 520mm
- B** 285mm
- C** 6mm
- D** 254mm
- E** 490mm
- F** 270mm
- G** 150mm
- H** 120mm



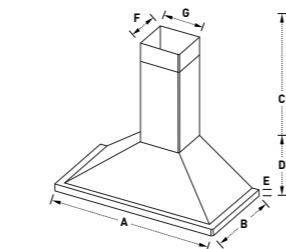
UMH-70

- A** 696mm
- B** 286mm
- C** 9mm
- D** 241mm
- E** 665mm
- F** 455mm
- G** 150mm
- H** 120mm



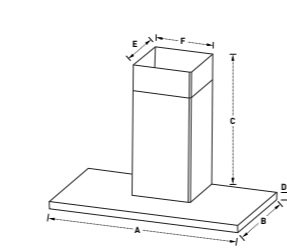
RHD-TAPE-60S

- A** 598mm
- B** 500mm
- C** 450-870mm
- D** 227mm
- E** 33mm
- F** 199mm
- G** 219mm



RHD90-TAPE

- A** 900mm
- B** 480mm
- C** 400-960mm
- D** 270mm
- E** 40mm
- F** 85mm
- G** 212mm

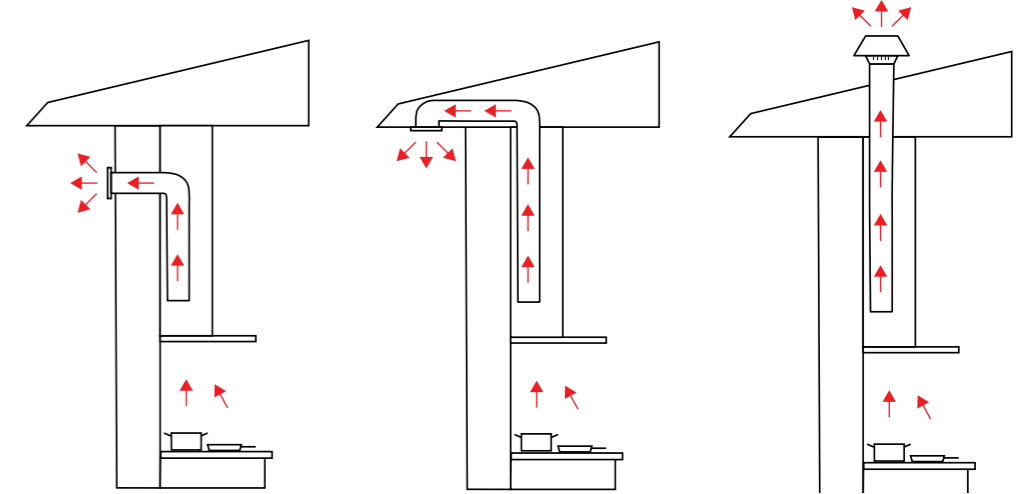


RHD90-FLAT

- A** 896mm
- B** 490-960mm
- C** 500mm
- D** 24.5mm
- E** 276mm
- F** 279mm

RANGEHOOD VENTING OPTIONS

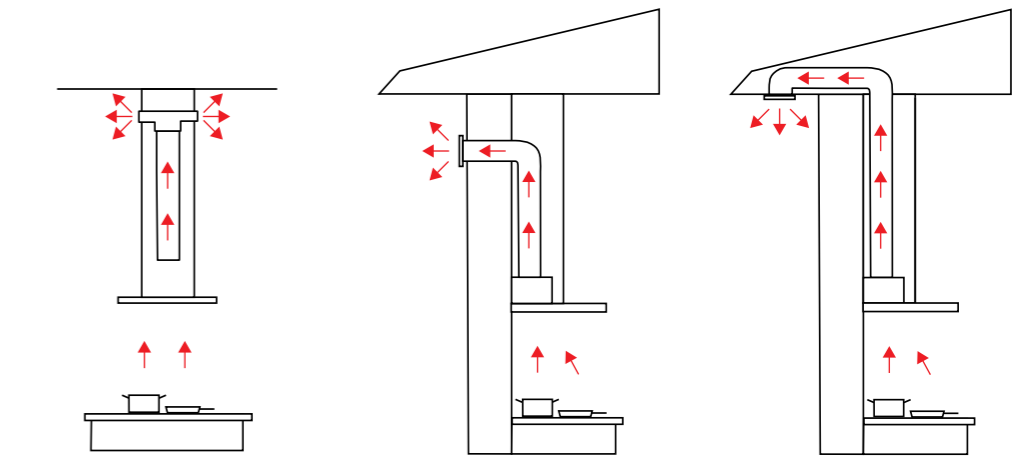
Canopy and Slide Out Rangehoods



Canopy rear ducted to outside

Canopy side ducted to outside

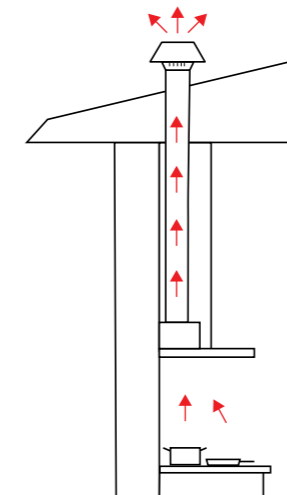
Canopy top ducted to outside



Canopy recirculating

Slide out rear ducted to outside

Slide out top ducted to outside

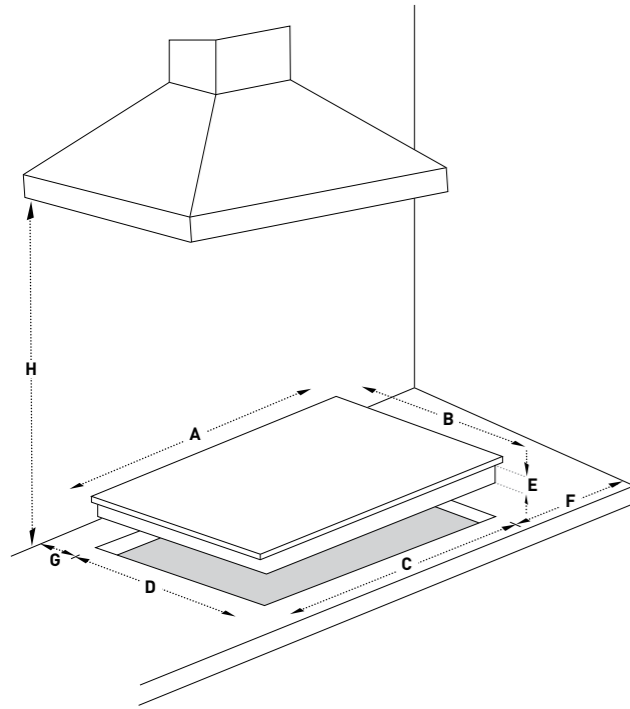


Slide out top ducted to outside

Technical Specifications

COOKTOPS

External and Cutout Dimensions



PLEASE NOTE

- F 150mm Minimum
- G 50mm Minimum
- H 650mm Minimum - ELECTRIC / INDUCTION
- H 750mm Minimum - GAS

GAS30-STD

- A 300mm
- B 500mm
- C 282mm
- D 482mm
- E 55mm

GAS60-STD

- A 580mm
- B 500mm
- C 560mm
- D 480mm
- E 35mm

GAS70-WOK/IGC70-WOK

- A 680mm
- B 500mm
- C 553mm
- D 473mm
- E 60mm

GAS90-WOK/IGC90-WOK

- A 860mm
- B 500mm
- C 833mm
- D 475mm
- E 60mm

IGC90-FISH

- A 860mm
- B 500mm
- C 833mm
- D 475mm
- E 60mm

GOG-70-WOK

- A 680mm
- B 500mm
- C 553mm
- D 473mm
- E 60mm

GOG-90-WOK

- A 860mm
- B 500mm
- C 833mm
- D 475mm
- E 60mm

GOG60PR

- A 610mm
- B 510mm
- C 555mm
- D 475mm
- E 55mm

GOG90PR

- A 870mm
- B 510mm
- C 833mm
- D 475mm
- E 55mm

CER30

- A 288mm
- B 520mm
- C 275mm
- D 512mm
- E 55mm

CER60-T2

- A 590mm
- B 520mm
- C 560mm
- D 490mm
- E 55mm

CER70-T

- A 700mm
- B 520mm
- C 560mm
- D 490mm
- E 55mm

CER90-4T

- A 900mm
- B 520mm
- C 750mm
- D 490mm
- E 50mm

CER90-5T

- A 900mm
- B 505mm
- C 860mm
- D 490mm
- E 55mm

IND60-C

- A 590mm
- B 520mm
- C 560mm
- D 490mm
- E 120mm

IND77-BT

- A 770mm
- B 510mm
- C 750mm
- D 490mm
- E 120mm

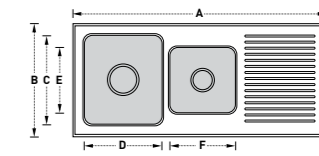
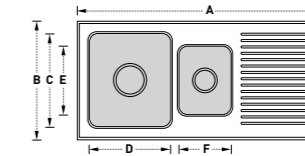
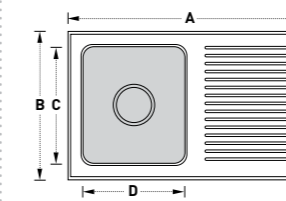
PLEASE NOTE

Please ensure minimum clearance required from cooktop - Electric 650mm - Gas 700mm

Technical Specifications

SINKS

External Dimensions



GAS60-CAST/IGC60-WOK

- A 580mm
- B 500mm
- C 553mm
- D 473mm
- E 60mm

POL-100

- A 780mm
- B 480mm
- C 380mm
- D 330mm

POL-150

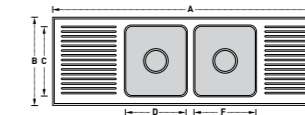
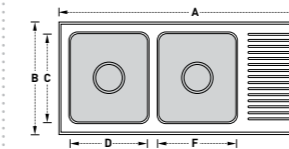
- A 980mm
- B 480mm
- C 380mm
- D 330mm
- E 300mm
- F 200mm

POL-175

- A 1080mm
- B 480mm
- C 380mm
- D 330mm
- E 278mm
- F 278mm

GAS-SW-90/IGC-SW90

- A 860mm
- B 500mm
- C 833mm
- D 475mm
- E 60mm



GOG70PR

- A 700mm
- B 510mm
- C 645mm
- D 475mm
- E 55mm

POL-200

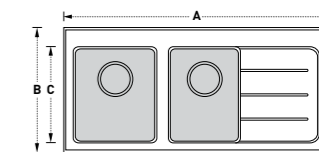
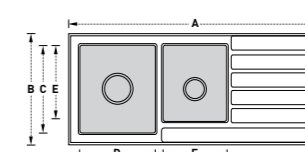
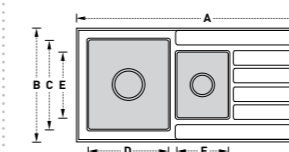
- A 1180mm
- B 480mm
- C 380mm
- D 330mm
- E 330mm

DD-200-POL

- A 1380mm
- B 480mm
- C 380mm
- D 330mm
- E 330mm

CER77-T

- A 770mm
- B 520mm
- C 750mm
- D 490mm
- E 55mm



HTM-150

- A 1080mm
- B 500mm
- C 400mm
- D 350mm
- E 285mm
- F 245mm

HTM-175

- A 1200mm
- B 500mm
- C 400mm
- D 350mm
- E 340mm
- F 295mm

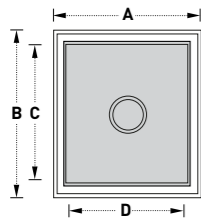
GSB-175

- A 1110mm
- B 520mm
- C 400mm
- D 350mm
- E 300mm

Technical Specifications

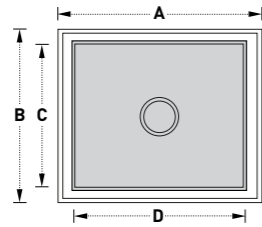
SINKS *Continued*

External Dimensions



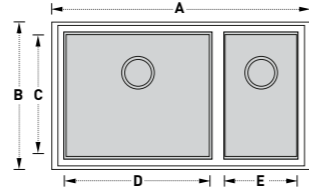
UM-450-22

- A** 450mm
- B** 450mm
- C** 410mm
- D** 410mm



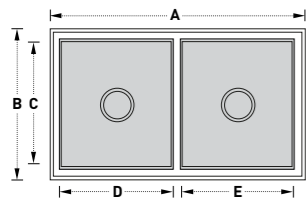
UM-550-22

- A** 550mm
- B** 450mm
- C** 410mm
- D** 510mm



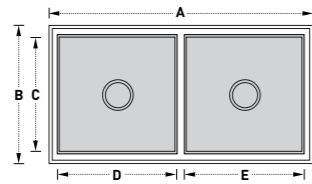
UM-715-20

- A** 715mm
- B** 440mm
- C** 400mm
- D** 450mm
- E** 200mm



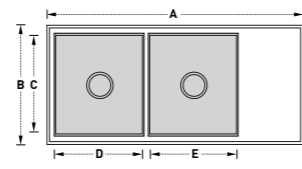
UM-760-22

- A** 760mm
- B** 440mm
- C** 400mm
- D** 340mm
- E** 340mm



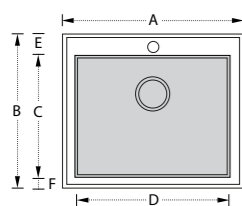
UM-865-22

- A** 865mm
- B** 440mm
- C** 400mm
- D** 390mm
- E** 390mm



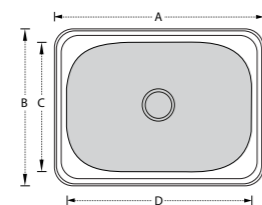
UM-1114D-22

- A** 1114mm
- B** 440mm
- C** 400mm
- D** 340mm
- E** 340mm



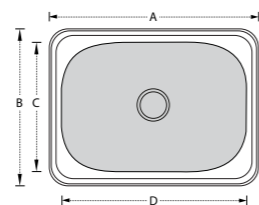
UM-530

- A** 530mm
- B** 505mm
- C** 400mm
- D** 460mm
- E** 70mm
- F** 35mm



INSET35L

- A** 560mm
- B** 460mm
- C** 380mm
- D** 480mm



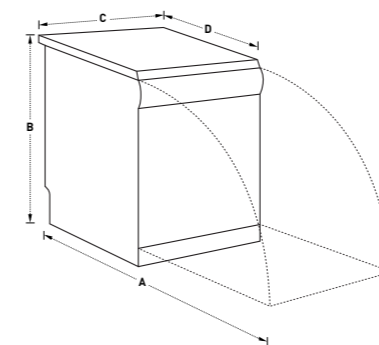
INSET45L

- A** 600mm
- B** 500mm
- C** 420mm
- D** 525mm

Technical Specifications

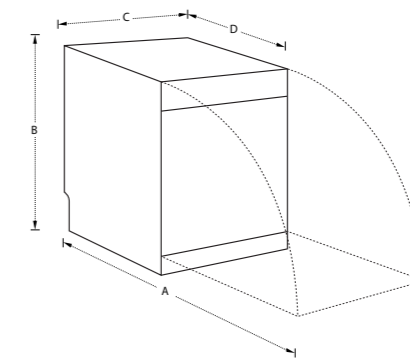
DISHWASHERS

External Dimensions



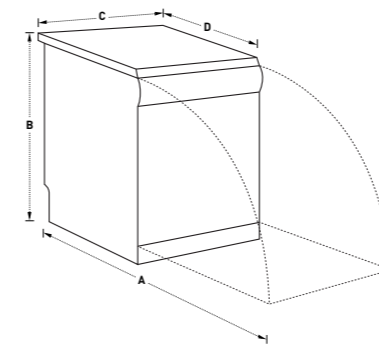
DW-60-DP

- A** 1135mm
- B** 850mm
- C** 600mm
- D** 580mm



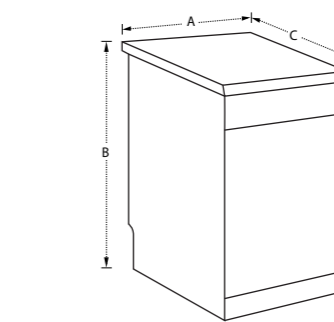
DW60-INT

- A** 1150mm
- B** 815mm
- C** 598mm
- D** 550mm - door closed



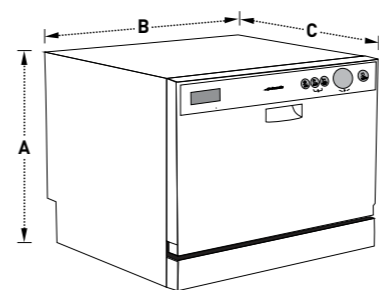
DW60-PR1

- A** 1135mm
- B** 850mm
- C** 600mm
- D** 580mm



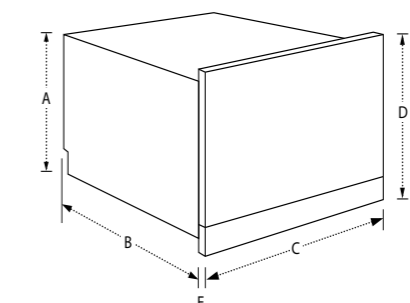
DW45

- A** 450mm
- B** 850mm
- C** 580mm



DWB-W / DWB-S

- A** 438mm
- B** 550mm
- C** 500mm

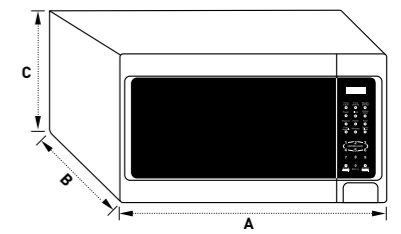


DWI-SS

- A** 438mm
- B** 500mm
- C** 590mm
- D** 475mm
- E** 18mm

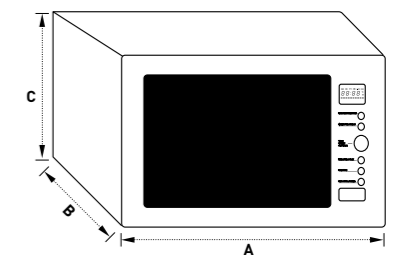
MICROWAVE

External Dimensions



MWF-34

- A** 520mm
- B** 430mm
- C** 310mm



MWB-32

- A** 595mm
- B** 480mm
- C** 388mm



FIND OUT MORE

Now you have seen the inspiration and quality that is introduced into all our kitchen appliances, we know you would be interested in what else Domain has to offer.

DOMAIN APPLIANCES WEBSITE



Please ask for our air conditioning brochure or view our other products online at:
www.domainappliances.com.au

TELEPHONE: 1 300 GET COOKING (1300 438 266)

Domain Appliances

2 / 9 Kelletts Road

Rowville VIC 3178

P: (03) 9763 8988

F: (03) 9763 8978

E: info@domainappliances.com.au

www.domainappliances.com.au

HOME SERVICE

Home Service is provided for repairs to appliances by trained technicians. For repairs to appliances that are outside the manufacturer's warranty period and not required as a result of a manufacturing defect, a service fee is payable.

Home Service and Spare Parts can be contacted by phone using our toll free national numbers.

Australia 1 300 GET COOKING (1 300 438 266)

WARRANTY

Domain Appliances warrants that for domestic applications that Domain's kitchen products featured in this brochure are free from defects in materials and workmanship for 2 years (3 months warranty for commercial applications, excluding dishwashers as they are only suitable for domestic or equivalent applications.)

Microwaves and taps are required to be return to base for warranty claims. The customer is responsible for shipment back to service centre and will be reimbursed for postage upon receipt of a valid tax invoice.

Full warranty details are available at
www.domainappliances.com.au/warranty

DISCLAIMERS

The product dimensions and specifications in this brochure apply to the specific products and models described at the date of issue. Under our policy of continuous product improvement, these dimensions and specifications may change at any time. You should therefore check with your dealer or Domain Appliances to ensure this brochure correctly describes the products currently available.

The photographs in this brochure are for illustrative purposes only.

All information supplied is to be used for general reference purposes only and is on the understanding that Domain Appliances will not be liable for any loss, liability or damage of whatever kind arising as a result of reliance on such information. Colours of products illustrated are as close as printing limitations allow.

Domain Appliances
March 2015
Copyright © Domain Appliances 2015. All rights reserved.

Authorised Dealer: